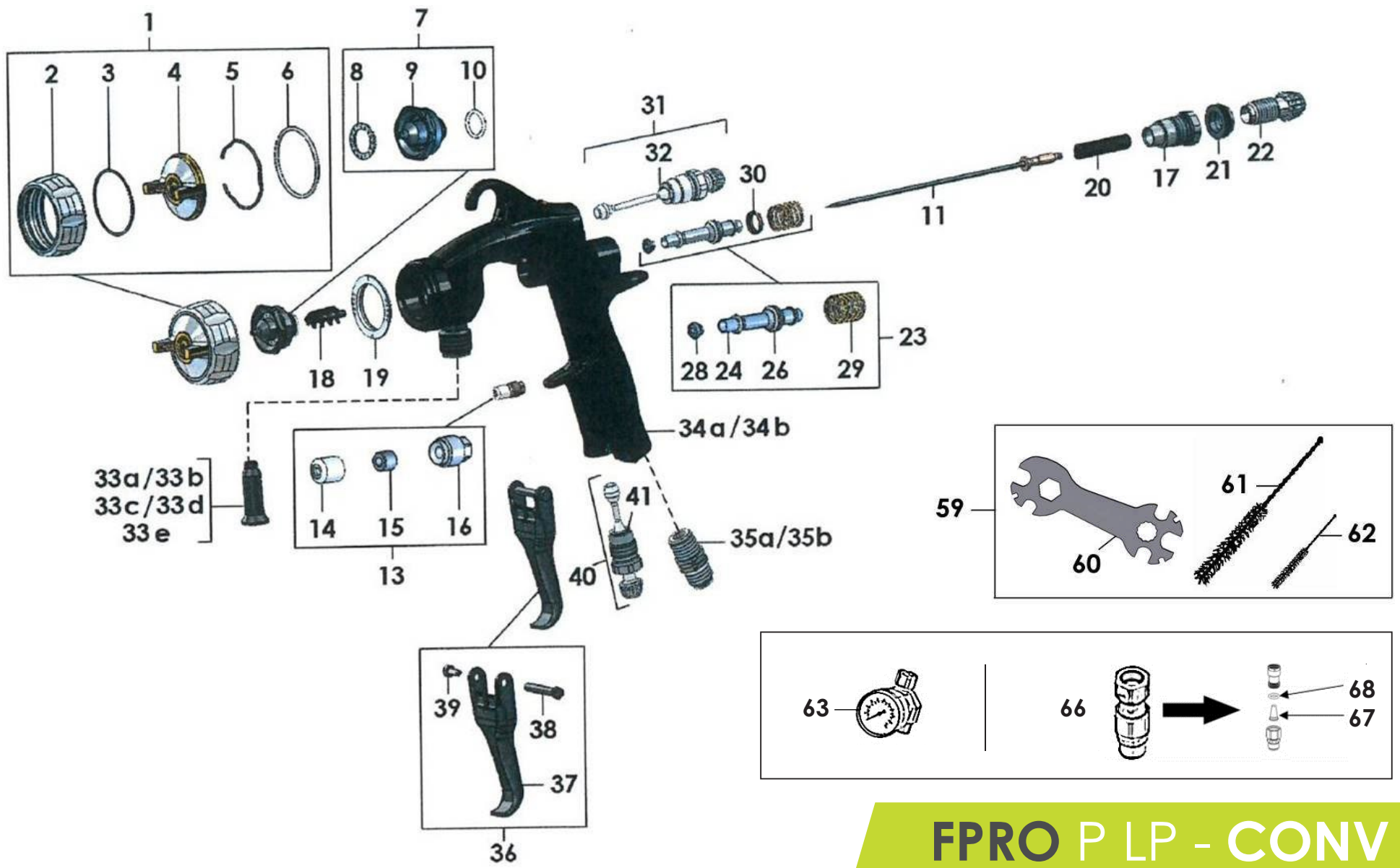
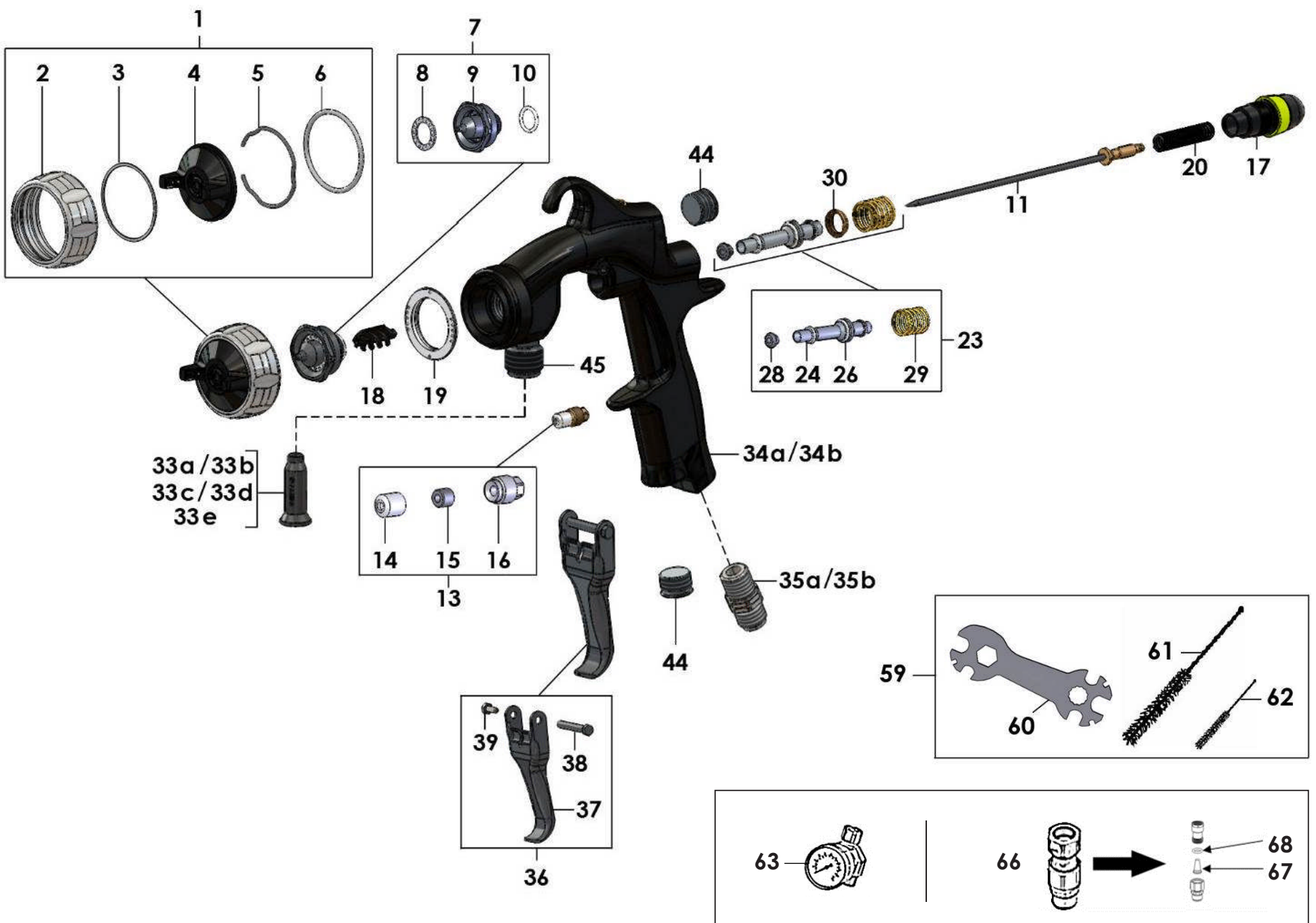


# FPRO AIRSPRAY

SPARE PARTS BREAKDOWN



## FPRO P LP - CONV



## FPRO P LOCK LP - LOCK CONV

### FPRO SPRAY GUN - ALL VERSIONS

No.	Part Number	Description	S/P Level
1	132.767.400	Aircap FPro Lock P HVLP-0722-Lva	1
1	132.767.500	Aircap FPro Lock P HVLP-0722-XLva	1
1	132.760.400	Aircap FPro Lock P LVLP-0722-Lva	1
1	132.760.500	Aircap FPro Lock P LVLP-0722-XLva	1
1	132.764.400	Aircap FPro Lock P CONV-0722-Lva	1
1	132.164.500	Aircap FPro Lock P CONV-0722-XLva	1
1	132.777.500	Aircap FPro Lock P HVLP-0722-XLvb	1
1	132.770.500	Aircap FPro Lock P LVLP-0722-XLvb	1
1	132.774.400	Aircap FPro Lock P CONV-0722-Lvb	1
1	132.774.450	Aircap FPro Lock P CONV-2327-Lvb	1
1	132.774.460	Aircap FPro Lock P CONV-3340-Mvb	1
1	132.774.350	Aircap FPro Lock P CONV-2327-Srb	1
1	132.774.250	Aircap FPro Lock P CONV-2327-Lvb	1
1	132.774.260	Aircap FPro Lock P CONV-3340-Srb	1
1	132.774.370	Aircap FPro Lock P CONV-1518-Mgb	1
2	032.760.005	Aircap ring	1
3	129.080.007	Seal, aircap (x2)	1
4	132.767.401	Aircap FPro Lock P HVLP-0722-Lva (cap only)	1
4	132.767.501	Aircap FPro Lock P HVLP-0722-XLva (cap only)	1
4	132.760.401	Aircap FPro Lock P LVLP-0722-Lva (cap only)	1
4	132.760.501	Aircap FPro Lock P LVLP-0722-XLva (cap only)	1
4	132.764.401	Aircap FPro Lock P CONV-0722-Lva (cap only)	1
4	132.764.501	Aircap FPro Lock P CONV-0722-XLva (cap only)	1
4	132.777.501	Aircap FPro P HVLP-0722-XLvb (cap only)	1
4	132.770.501	Aircap FPro P LVLP-0722-XLvb (cap only)	1
4	132.774.401	Aircap FPro P CONV-0722-Lvb (cap only)	1
4	132.774.251	Aircap FPro P Conv-2327-Srb (cap only)	1
4	132.774.261	Aircap FPro P Conv-3340-Srb (cap only)	1
4	132.774.351	Aircap FPro P Conv-2327-Mvb (cap only)	1
4	132.774.371	Aircap FPro P Conv-1518-Mgb (cap only)	1
4	132.774.451	Aircap FPro P Conv-2327-Lvb (cap only)	1
4	132.774.461	Aircap FPro P Conv-3340-Lvb (cap only)	1
5	032.200.103	Stop ring	1
6	150.040.309	Seal, ring (x10)	1
7	134.130.100	.07 Fluid nozzle HVLP/LP	1
7	134.130.200	.09 Fluid nozzle HVLP/LP	1
7	134.130.300	1.2 Fluid nozzle HVLP/LP	1
7	134.130.600	1.5 Fluid nozzle HVLP/LP	1
7	134.130.700	1.8 Fluid nozzle HVLP/LP	1
7	134.131.100	2.3 Fluid nozzle	1
7	134.131.200	2.7 Fluid nozzle	1
7	134.131.300	3.3 Fluid nozzle	1
7	134.131.400	4.0 Fluid nozzle	1
7	134.131.500	1.5 Fluid nozzle, glue	1
7	134.131.600	1.8 Fluid nozzle, glue	1
	134.135.100	.07 Fluid nozzle T	1
	134.135.200	.09 Fluid nozzle T	1
	134.135.300	1.2 Fluid nozzle T	1
	134.135.600	1.5 Fluid nozzle T	1
	134.135.700	1.8 Fluid nozzle T	1
	134.136.100	2.3 Fluid nozzle T	1
8	129.130.004	Distribution ring (x5)	1
9	NC / NS	Nozzle	1

No.	Part Number	Description	S/P Level
10	129.209.902	Seal, nozzle (x5)	1
11	033.140.100	Needle 7-12	1
11	033.140.200	Needle 15-18	1
11	033.140.300	Needle 23-27	1
11	033.140.400	Needle 33-40	1
11	033.148.100	Needle 7-23 T	1
13	129.130.903	Needle packing assembly (x5)	1
14	NC / NS	Seat (x5)	1
15	NC / NS	Bearing (x5)	1
16	029.130.006	Packing holder (x1)	1
17	029.030.003	Sleeve, needle stop	1
18	129.140.031	Vortex (x1)	1
19	129.130.003	Distribution ring (x5)	1
20	050.311.248	Spring, needle	1
21	029.080.003	Milled nut, model M 12x100	1
22	029.770.006	Needle stop	1
23	129.030.020	Atomizing air valve assembly w/spring	1
24	NC / NS	Body, air valve	1
26	129.030.022	Seal, air valve (x10)	1
28	129.030.026	Carrier (x5)	1
29	050.311.321	Spring, valve	1
30	129.140.008	Air valve stop	1
31	129.130.020	Air adjuster assembly	1
32	902.202.102	C-clip	1
	129.140.023	Injector, model 0.8mm / 0.031in	1
	129.140.024	Injector, model 0.9mm / 0.035in	1
	129.140.025	Injector, model 1.0mm / 0.039in	1
	129.140.026	Injector, model 1.2mm / 0.047in	1
	129.140.027	Injector, model 1.4mm / 0.055in	1
	NC / NS	FPRO P LP Gun body	1
	NC / NS	FPRO P CONV Gun body	1
	050.102.624	Air fitting, model double male 1/4 G - 1/4 NPS	1
36	129.760.907	Trigger + trigger spindle + screw	1
37	029.760.017	Trigger only	1
	129.140.904	Trigger spindle (x5) + screw (x5)	1
40	129.130.030	Air adjuster assembly	1
*	129.130.901	Seal kit (ind. 3, 6, 8, 10, 14, 15, 26 + grease tube)	1
	129.130.907	Flat trigger	1
59	129.760.921	Brushes and wrench set	1
60	049.030.042	Gun wrench	1
61	906.300.101	Large brush	1
62	906.300.102	Small brush	1
63	150.070.560	Inlet air pressure gauge	1
66	129.140.030	Fluid inline filter	1
67	151.399.902	Screen n6 (x10)	1
68	149.949.901	Seal (x10)	1
	129.760.905	Rear line assembly for FPro Lock P	1
*	129.770.905	Servicing kit - rear line for FPro P (ind. 17, 20, 22)	1
	129.760.901	FPro Lock P Servicing kit	1
*	129.770.901	FPro P Servicing kit (ind. 16, 17, 19, 20, 22, 24, 28, 29, 31, 37, 38, 39, 40 + seal kit + grease tube)	1
	129.650.002	FPro Lock P anodized air plugs	1

PLEASE NOTE: Install an injector (33) smaller or equal to the tip.



### SAMES KREMLIN Inc.

North America Headquarters 45001 5 Mile Road, Plymouth, MI 48170 | Toll: (800)573-5554 | Tel: (734)979-0100 | Fax: (734)927-0064

Canada Branch 931 Progress Avenue, Unit 7, Scarborough, ON M1G 3V5 | Toll: (800)450-0655 | Tel: (416)431-5017 | Fax: (416)431-9171

Mexico Branch Acceso III N°16A Int 15A, Parque Industrial Benito Juárez, Querétaro, CP 76120 | Tel: +52 (442)161-2595 ext 170